



Safety storage cabinet Q-PEGASUS-90
Model Q90.195.060.WDACR, body colour anthracite grey
(RAL 7016), with wing door in reseda green (RAL 6011)

Safe and approved storage of flammable hazardous substances in working areas

Function / construction:

- **Robust construction and longevity:** triple hinged door, safety elements assembled outside the storage compartment for increased protection against corrosion, scratch- and impact-resistant surface, easy to clean
- **User-friendly and safe:** door open arrest system (standard), convenient and safe removal or storage of containers
- **Always closed:** serial automatic door closing (TSA) releases arrested door after approx. 60 seconds; acoustic and visual signal before closing
- **No unauthorised use:** door lockable with cylinder locking (integration in an existing locking system possible) and locking state indicator (red/green)
- **Easy transport:** integrated transport base with removable, optional base cover
- **Easy alignment:** adjusting aids to compensate for uneven floor
- **Ventilation:** integrated air ducts ready for connection (DN 75) to a technical exhaust system, spinning wheel in the exhaust grid as an indicator of sufficient technical ventilation

Dimensions

| | |
|-------------------|---------|
| Width (external) | 599 mm |
| Depth (external) | 615 mm |
| Height (external) | 1953 mm |
| Width (internal) | 450 mm |
| Depth (internal) | 522 mm |
| Height (internal) | 1647 mm |

The available internal dimensions can vary depending on the interior equipment package.

Weight / Load

| | |
|-----------------------------------|-----------------------|
| Weight without interior equipment | 265 kg |
| Distributed load | 894 kg/m ² |
| Maximum load | 600 kg |

Ventilation

| | |
|---------------------------------------|---------------------|
| Extraction air | 75 DN |
| minimum exhaust air quantity 10 times | 4 m ³ /h |
| Pressure drop inside the cabinet | 5 Pa |

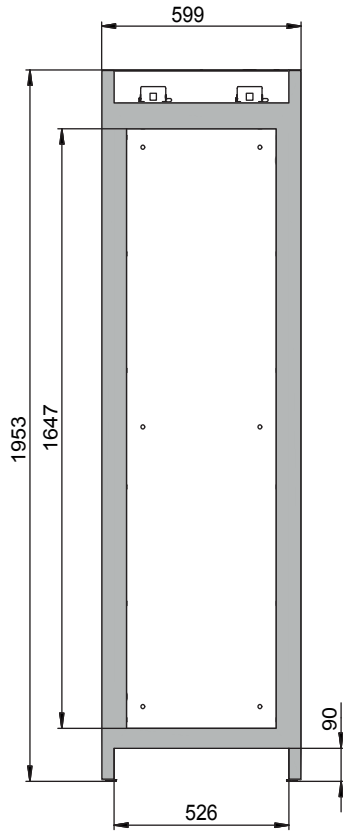
Colouring / Surface finish

| | |
|------------------------------|-----------------|
| Body colour code | RAL 7016 |
| Body colour | anthracite grey |
| Body surface finish | textured |
| Door / Drawer colour code | RAL 6011 |
| Door / Drawer colour | Reseda green |
| Door / Drawer surface finish | textured |

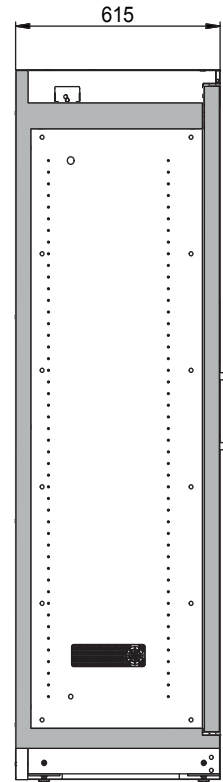
General Information

| | |
|-----------------------------|----------|
| Number of doors | 1 |
| Door opening angle | 89.00° |
| Depth with open doors | 1128 mm |
| Interior grid dimension | 32 mm |
| Entry width transport base | 526 mm |
| Entry height transport base | 90 mm |
| Customs tariff number | 94032080 |

Front view



Side view



Top view

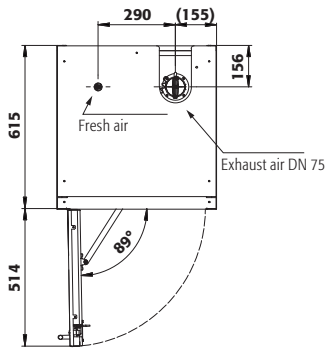


Diagram shows left-hinged door. Dimensions are identical for a right-hinged fitting.