



**Safety storage cabinet Q-PEGASUS-90**  
**Model Q90.195.060.WDACR, body colour anthracite grey**  
**(RAL 7016), with wing door in asecos silver**

**Safe and approved storage of flammable hazardous substances in working areas**

**Function / construction:**

- **Robust construction and longevity:** triple hinged door, safety elements assembled outside the storage compartment for increased protection against corrosion, scratch- and impact-resistant surface, easy to clean
- **User-friendly and safe:** door open arrest system (standard), convenient and safe removal or storage of containers
- **Always closed:** serial automatic door closing (TSA) releases arrested door after approx. 60 seconds; acoustic and visual signal before closing
- **No unauthorised use:** door lockable with cylinder locking (integration in an existing locking system possible) and locking state indicator (red/green)
- **Easy transport:** integrated transport base with removable, optional base cover
- **Easy alignment:** adjusting aids to compensate for uneven floor
- **Ventilation:** integrated air ducts ready for connection (DN 75) to a technical exhaust system, spinning wheel in the exhaust grid as an indicator of sufficient technical ventilation

**Dimensions**

|                   |         |
|-------------------|---------|
| Width (external)  | 599 mm  |
| Depth (external)  | 615 mm  |
| Height (external) | 1953 mm |
| Width (internal)  | 450 mm  |
| Depth (internal)  | 522 mm  |
| Height (internal) | 1647 mm |

The available internal dimensions can vary depending on the interior equipment package.

**Weight / Load**

|                                   |                       |
|-----------------------------------|-----------------------|
| Weight without interior equipment | 265 kg                |
| Distributed load                  | 894 kg/m <sup>2</sup> |
| Maximum load                      | 600 kg                |

**Ventilation**

|                                       |                     |
|---------------------------------------|---------------------|
| Extraction air                        | 75 DN               |
| minimum exhaust air quantity 10 times | 4 m <sup>3</sup> /h |
| Pressure drop inside the cabinet      | 5 Pa                |

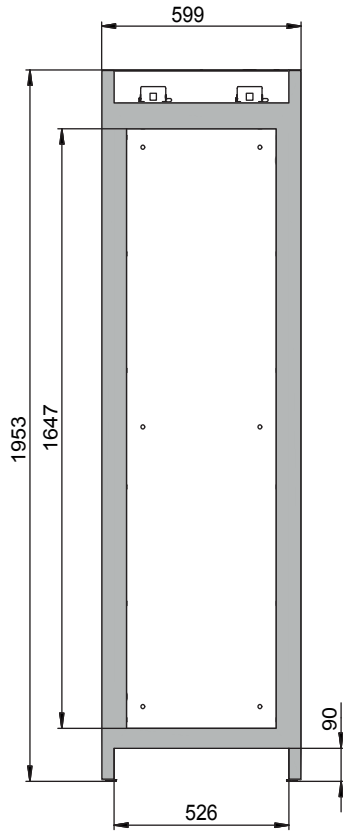
**Colouring / Surface finish**

|                              |                 |
|------------------------------|-----------------|
| Body colour code             | RAL 7016        |
| Body colour                  | anthracite grey |
| Body surface finish          | textured        |
| Door / Drawer colour         | asecos silver   |
| Door / Drawer surface finish | textured        |

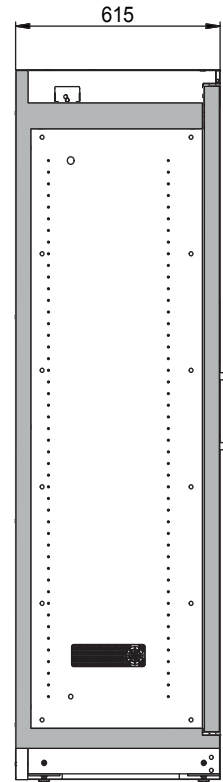
**General Information**

|                             |          |
|-----------------------------|----------|
| Number of doors             | 1        |
| Door opening angle          | 89.00°   |
| Depth with open doors       | 1128 mm  |
| Interior grid dimension     | 32 mm    |
| Entry width transport base  | 526 mm   |
| Entry height transport base | 90 mm    |
| Customs tariff number       | 94032080 |

Front view



Side view



Top view

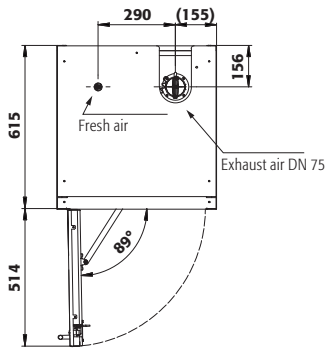


Diagram shows left-hinged door. Dimensions are identical for a right-hinged fitting.