



Safety storage cabinet S-PHOENIX-90
Model S90.196.120.FDAS, light grey (RAL 7035)

Safe and approved storage of flammable hazardous substances in working areas

Function / construction:

- **Robust construction and longevity:** triple hinged door, body made of powder-coated sheet steel, safety elements assembled outside the cabinet for increased protection against corrosion
- **Space saving folding doors:** less required space in front of the cabinet while doors are open
- **User-friendly and safe:** door open arrest system (standard), convenient and safe removal or storage of containers
- **No unauthorised use:** doors lockable with profile cylinder (integration in an existing locking system possible)
- **Easy alignment:** adjusting aids to compensate for uneven floor
- **Ventilation:** integrated air ducts ready for connection (DN 75) to a technical exhaust system

Dimensions

Width (external)	1196.00 mm
Depth (external)	616.00 mm
Height (external)	1968.00 mm
Width (internal)	1050.00 mm
Depth (internal)	524.00 mm
Height (internal)	1742.00 mm

The available internal dimensions can vary depending on the interior equipment package.

Weight / Load

Weight without interior equipment	420 kg
Distributed load	528.00 kg/m ²
Maximum load	600 kg

Ventilation

Extraction air	75 DN
minimum exhaust air quantity 10 times	10 m ³ /h
Pressure drop inside the cabinet	5 Pa

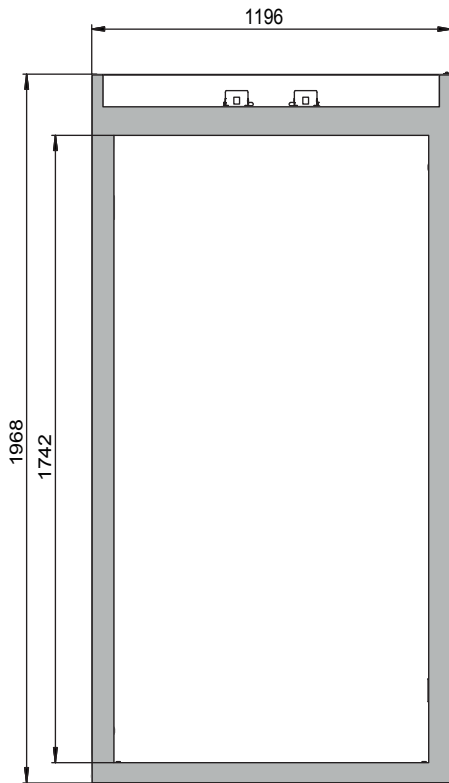
Colouring / Surface finish

Body colour code	RAL 7035
Body colour	Light grey
Body surface finish	plain
Door / Drawer colour code	RAL 7035
Door / Drawer colour	Light grey
Door / Drawer surface finish	plain

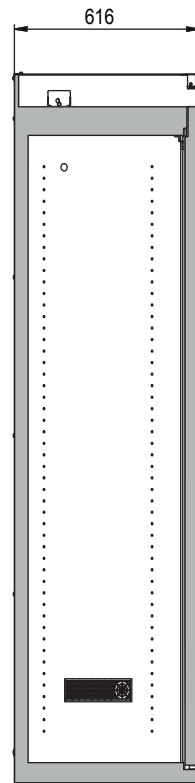
General Information

Number of doors	2
Door opening angle	93.00°
Interior grid dimension	32 mm
Depth with open doors	950 mm
Customs tariff number	94032080

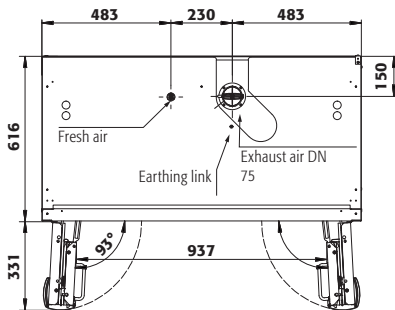
Front view



Side view



Top view



For further information please visit www.asecos.com