



**Safety storage cabinet S-CLASSIC-90**  
**Model S90.196.060.WDASR, warning yellow (RAL 1004)**

**Safe and approved storage of flammable hazardous substances in working areas**

**Function / construction:**

- **Robust construction and longevity:** triple hinged door, body made of powder-coated sheet steel, safety elements assembled outside the cabinet for increased protection against corrosion
- **User-friendly and safe (model .WDAS):** door open arrest system, convenient and safe removal or storage of containers
- **No unauthorised use:** door lockable with profile cylinder (integration in an existing locking system possible)
- **Easy alignment:** adjusting aids to compensate for uneven floor
- **Ventilation:** integrated air ducts ready for connection (DN 75) to a technical exhaust system

**Dimensions**

<b>Width (external)</b>	596.00 mm
<b>Depth (external)</b>	616.00 mm
<b>Height (external)</b>	1968.00 mm
<b>Width (internal)</b>	450.00 mm
<b>Depth (internal)</b>	524.00 mm
<b>Height (internal)</b>	1742.00 mm

The available internal dimensions can vary depending on the interior equipment package.

**Weight / Load**

<b>Weight without interior equipment</b>	260 kg
<b>Distributed load</b>	893.00 kg/m <sup>2</sup>
<b>Maximum load</b>	600 kg

**Ventilation**

<b>Extraction air</b>	75 DN
<b>minimum exhaust air quantity 10 times</b>	4 m <sup>3</sup> /h
<b>Pressure drop inside the cabinet</b>	5 Pa

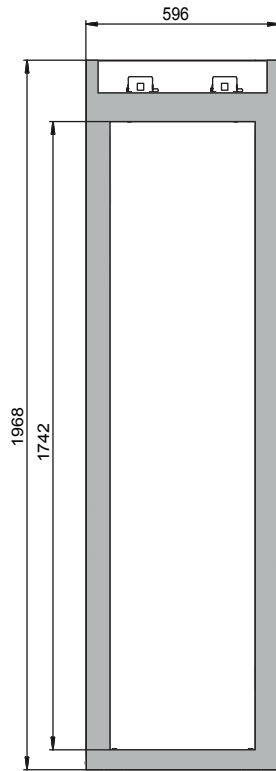
**Colouring / Surface finish**

<b>Body colour code</b>	RAL 1004
<b>Body colour</b>	Warning yellow
<b>Body surface finish</b>	plain
<b>Door / Drawer colour code</b>	RAL 1004
<b>Door / Drawer colour</b>	Warning yellow
<b>Door / Drawer surface finish</b>	plain

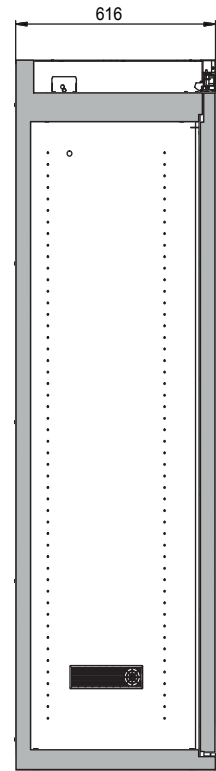
**General Information**

<b>Number of doors</b>	1
<b>Door opening angle</b>	89.00°
<b>Interior grid dimension</b>	32 mm
<b>Depth with open doors</b>	1133 mm
<b>Customs tariff number</b>	94032080

Front view



Side view



Top view

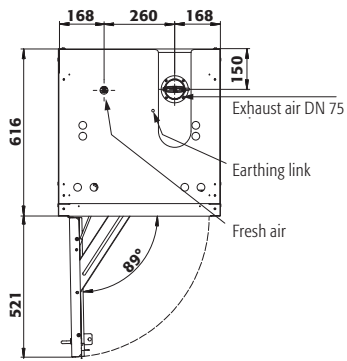


Diagram shows left-hinged door. Dimensions are identical for a right-hinged fitting.