



Safety storage cabinet S-CLASSIC-90
Model S90.129.060.R, warning yellow (RAL 1004)

Safe and approved storage of flammable hazardous substances in working areas

Function / construction:

- **Robust construction and longevity:** triple hinged door, body made of powder-coated sheet steel, safety elements assembled outside the cabinet for increased protection against corrosion
- **No unauthorised use:** door lockable with profile cylinder (integration in an existing locking system possible)
- **Easy alignment:** adjusting aids to compensate for uneven floor
- **Ventilation:** integrated air ducts ready for connection (DN 75) to a technical exhaust system

Dimensions

Width (external)	596.00 mm
Depth (external)	616.00 mm
Height (external)	1298.00 mm
Width (internal)	450.00 mm
Depth (internal)	524.00 mm
Height (internal)	1072.00 mm

The available internal dimensions can vary depending on the interior equipment package.

General Information

Number of doors	1
Door opening angle	89.00°
Interior grid dimension	32 mm
Depth with open doors	1134 mm
Customs tariff number	94032080

Colouring / Surface finish

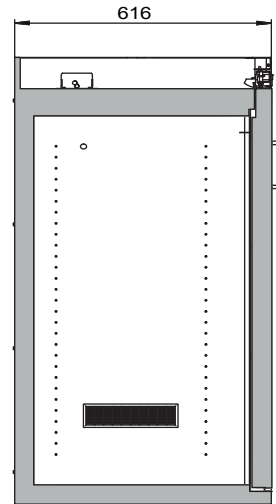
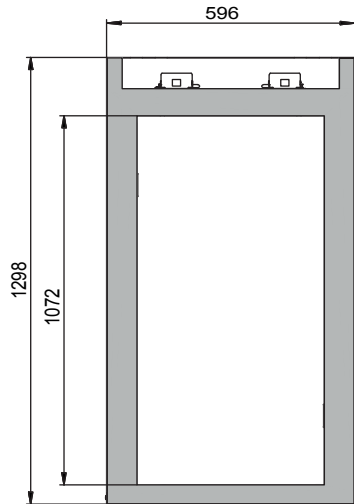
Body colour code	RAL 1004
Body colour	Warning yellow
Body surface finish	plain
Door / Drawer colour code	RAL 1004
Door / Drawer colour	Warning yellow
Door / Drawer surface finish	plain

Weight / Load

Weight without interior equipment	170 kg
Distributed load	799.00 kg/m ²
Maximum load	600 kg

Ventilation

Extraction air	75 DN
Minimum exhaust air quantity 10 times	3 m ³ /h
Differential pressure (10 times air change)	5 Pa



Top view

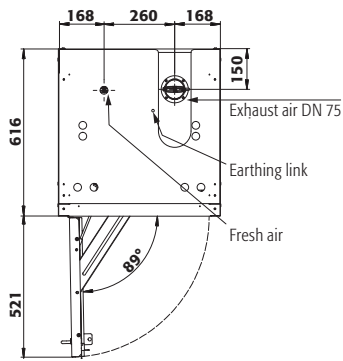


Diagram shows left-hinged door. Dimensions are identical for a right-hinged fitting.