



Safety storage cabinet Q-CLASSIC-30
Model Q30.195.086.WDR, body colour anthracite grey,
with wing door in light grey (RAL 7035)

Safe and approved storage of flammable hazardous substances in working areas

Function / construction:

- **Robust construction and longevity:** triple hinged door, cabinet body made of melamine resin and flame retardant special plates, safety elements assembled outside the storage compartment for increased protection against corrosion, doors with metal front as well as scratch- and impact-resistant surface, easy to clean
- **Easy handling with comfort:** door stops in any position, self-closing in the event of fire
- **No unauthorised use:** door lockable with profile cylinder (integration in an existing locking system possible)
- **Easy transport:** integrated transport base with removable, optional base cover or adjusting aids with base cover
- **Ventilation:** integrated air ducts ready for connection (DN 75) to a technical exhaust system

Dimensions

Width (external)	864 mm
Depth (external)	620 mm
Height (external)	1947 mm
Width (internal)	750 mm
Depth (internal)	519 mm
Height (internal)	1626 mm

The available internal dimensions can vary depending on the interior equipment package.

Weight / Load

Weight without interior equipment	195 kg
Distributed load	568 kg/m ²
Maximum load	600 kg

Ventilation

Extraction air	75 DN
minimum exhaust air quantity 10 times	6 m ³ /h
Pressure drop inside the cabinet	10 Pa

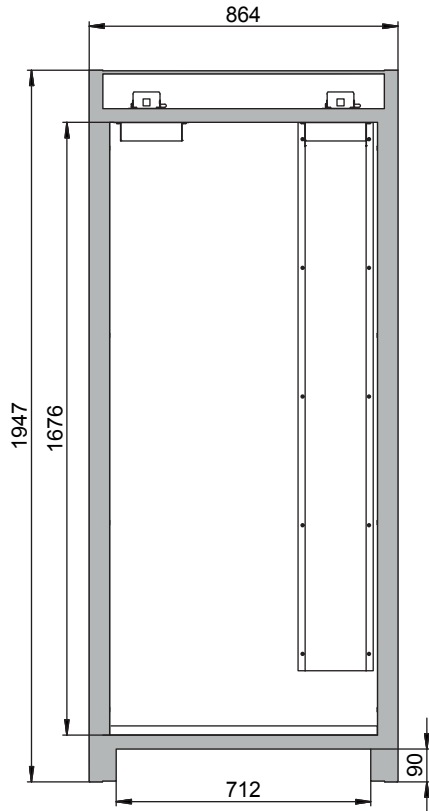
Colouring / Surface finish

Body colour	anthracite grey
Body surface finish	textured
Door / Drawer colour code	RAL 7035
Door / Drawer colour	Light grey
Door / Drawer surface finish	textured

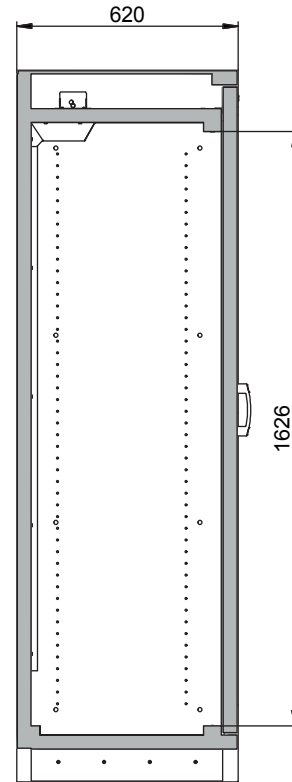
General Information

Number of doors	1
Door opening angle	90.00°
Depth with open doors	1394 mm
Interior grid dimension	32 mm
Entry width transport base	1088 mm
Entry height transport base	90 mm
Customs tariff number	94032080

Front view



Side view



Top view

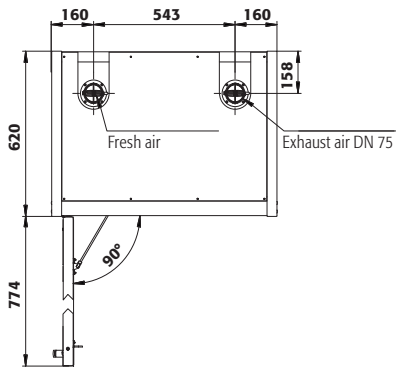


Diagram shows left-hinged door. Dimensions are identical for a right-hinged fitting.