



**Safety storage under bench cabinet UB-S-90  
Model UB90.060.059.UL.S, laboratory white (sim. RAL 9016)**

**Safe and approved storage of flammable hazardous substances in working areas**

**Function / construction:**

- **Robust construction and longevity:** body made of powder-coated sheet steel
- **User-friendly:** drawer remains open in any position, interior of drawer completely visible – access to all containers
- **Safe:** drawer fitted with earthing wire incl. clamp as standard, seal welded sump, drawers are self-closing in the event of fire
- **No unauthorised use:** drawer lockable with cylinder lock and locking state indicator (red/green)
- **Mobile:** castors with plinth (optionally available), easy moving of the cabinet
- **Ventilation:** integrated air ducts ready for connection (DN 50) to a technical exhaust system

**Dimensions**

<b>Width (external)</b>	593.00 mm
<b>Depth (external)</b>	574.00 mm
<b>Height (external)</b>	600.00 mm
<b>Width (internal)</b>	470.00 mm
<b>Depth (internal)</b>	452.00 mm
<b>Height (internal)</b>	502.00 mm

The available internal dimensions can vary depending on the interior equipment package.

**Ventilation**

<b>Extraction air</b>	50 DN
<b>Minimum exhaust air quantity 10 times</b>	1 m <sup>3</sup> /h
<b>Differential pressure (10 times air change)</b>	1 Pa

**Weight / Load**

<b>Weight without interior equipment</b>	120 kg
<b>Distributed load</b>	450.00 kg/m <sup>2</sup>
<b>Maximum load</b>	300 kg

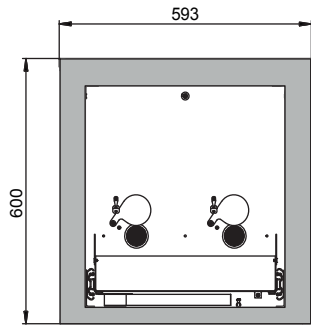
**Colouring / Surface finish**

<b>Body colour code</b>	
<b>Body colour</b>	Laboratory white (sim. RAL 9016)
<b>Body surface finish</b>	plain
<b>Door / Drawer colour code</b>	
<b>Door / Drawer colour</b>	Laboratory white (sim. RAL 9016)
<b>Door / Drawer surface finish</b>	plain

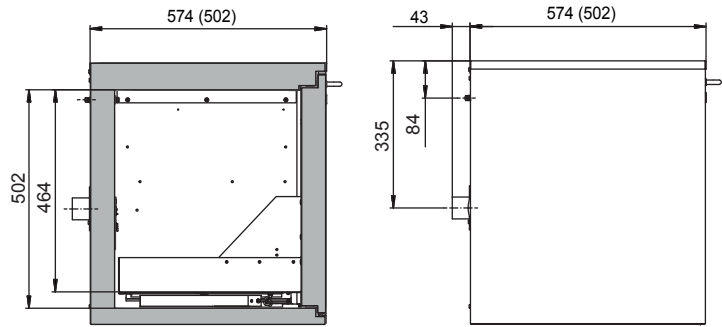
**General Information**

<b>Number of drawers</b>	1
<b>Capacity drawer</b>	11.50 litres
<b>Customs tariff number</b>	94032080

Front view



Side view



Top view

