



Safety storage cabinet Q-CLASSIC-30
Model Q30.195.086.FU.WDASR, body colour anthracite grey, with wing doors in warning yellow (RAL 1004)

Safe and approved storage of flammable hazardous substances in working areas

Function / construction:

- **Robust construction and longevity:** triple hinged door, cabinet body made of melamine resin and flame retardant special plates, safety elements assembled outside the storage compartment for increased protection against corrosion, doors with metal front as well as scratch- and impact-resistant surface, easy to clean
- **Easy handling with comfort:** door stops in any position, self-closing in the event of fire
- **User-friendly and safe (model .WDAS):** door open arrest system, convenient and safe removal or storage of containers
- **No unauthorised use:** door lockable with profile cylinder (integration in an existing locking system possible)
- **Easy transport:** integrated transport base with removable, optional base cover or adjusting aids with base cover
- **Ventilation:** integrated air ducts ready for connection (DN 75) to a technical exhaust system
- **Triple certified:** cabinet tested in accordance with EN 14470-1, FM Standard 6050 and UL/ULC Standard 1275

Dimensions

| | |
|-------------------|---------|
| Width (external) | 864 mm |
| Depth (external) | 620 mm |
| Height (external) | 1947 mm |
| Width (internal) | 750 mm |
| Depth (internal) | 519 mm |
| Height (internal) | 1626 mm |

The available internal dimensions can vary depending on the interior equipment package.

Weight / Load

| | |
|-----------------------------------|-----------------------|
| Weight without interior equipment | 195 kg |
| Distributed load | 568 kg/m ² |
| Maximum load | 600 kg |

Ventilation

| | |
|---|---------------------|
| Extraction air | 75 DN |
| Minimum exhaust air quantity 10 times | 6 m ³ /h |
| Differential pressure (10 times air change) | 10 Pa |

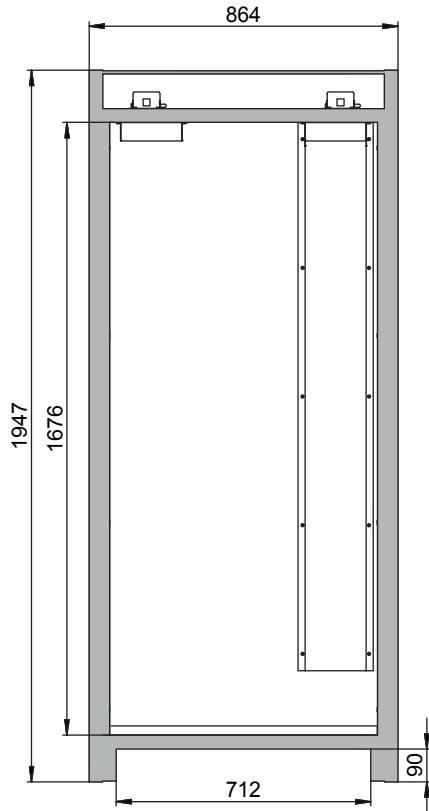
Colouring / Surface finish

| | |
|------------------------------|-----------------|
| Body colour code | |
| Body colour | anthracite grey |
| Body surface finish | micropearl |
| Door / Drawer colour code | RAL 1004 |
| Door / Drawer colour | Warning yellow |
| Door / Drawer surface finish | textured |

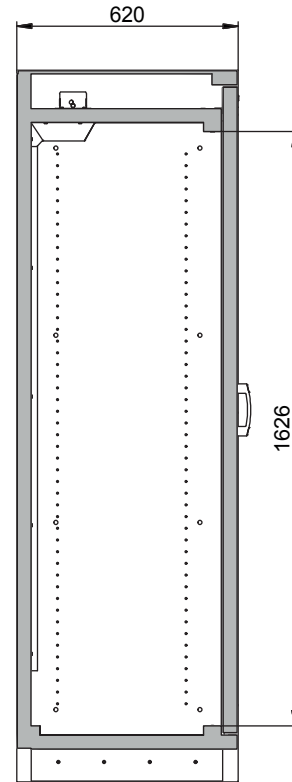
General Information

| | |
|-----------------------------|----------|
| Number of doors | 1 |
| Door opening angle | 90.00° |
| Depth with open doors | 1394 mm |
| Interior grid dimension | 32 mm |
| Entry width transport base | 1088 mm |
| Entry height transport base | 90 mm |
| Customs tariff number | 94032080 |

Front view



Side view



Top view

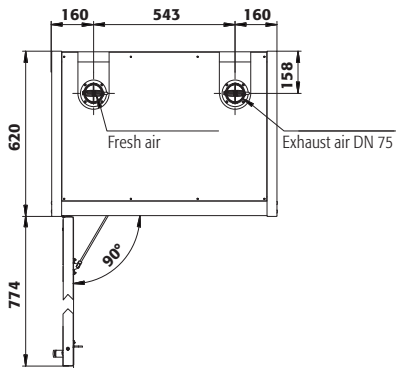


Diagram shows left-hinged door. Dimensions are identical for a right-hinged fitting.