

ID-Nr. 41429-047
Model IO90.195.120.PS.WDC



safety storage cabinet for lithium-ion batteries ION-PRO-90
Model IO90.195.120.PS.WDC, body colour anthracite grey
(RAL 7016), with wing doors in gentian blue (RAL 5010)

Function / construction:

- **Robust construction and longevity:** robust, high-quality, scratch-resistant outer body with powder-coated textured surface
- **Convenient cabinet entry:** open both doors at the same time with just one hand.
- Integrated potential-free alarm contact for strongly recommended alarm forwarding. Optionally available with relay module and module for remote signalling.
- **No unauthorised use:** doors lockable with cylinder locking (integration in an existing locking system possible) and locking state indicator (red/green). Permanent locking of the doors by automatic 2-point locking.
- **Integrated transport base:** In the event of an emergency, immediate evacuation and transport of the cabinet to a safe place outdoors.
- **Easy alignment:** adjusting aids to compensate for uneven floor
- Smoke detector and temperature sensor for fire detection and forwarding the alarm to the building management system.
- Pressure relief in the head section
- **All-around protection:** 90 minute fire protection from outside to inside (type 90 / type tested in accordance with EN 14470-1) and for more than 90 minutes fire resistance for fires from inside to outside
- LED display with visual and audible alarm for a quick indication of emergencies without opening the cabinet doors.
- **Fire suppression system:** Triggers in the event of a fire inside the cabinet automatically.

| Dimensions | |
|-------------------|---------|
| Width (external) | 1193 mm |
| Depth (external) | 615 mm |
| Height (external) | 1953 mm |
| Width (internal) | 1050 mm |
| Depth (internal) | 522 mm |
| Height (internal) | 1647 mm |

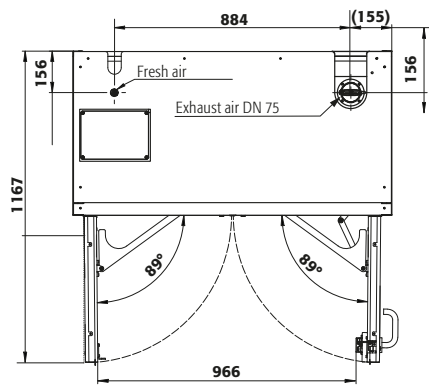
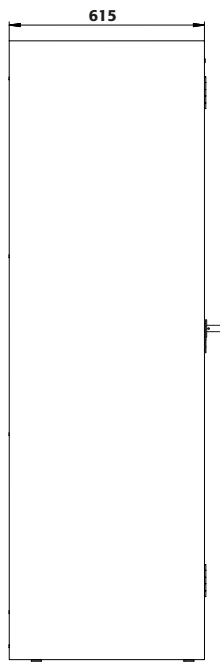
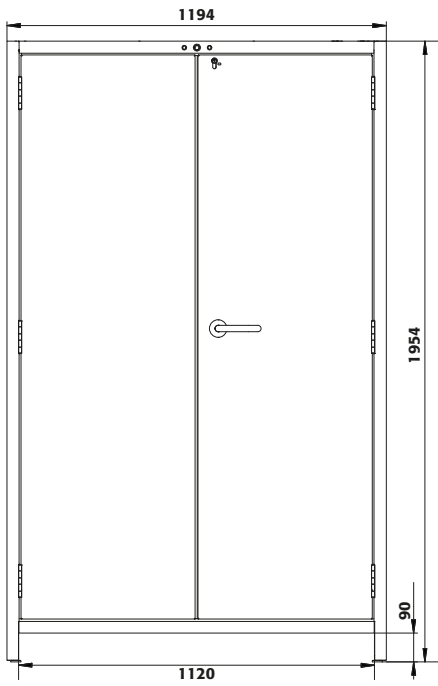
| Weight / Load | |
|-----------------------------------|-----------------------|
| Weight without interior equipment | 424 kg |
| Distributed load | 531 kg/m ² |
| Maximum load | 600 kg |

| Colouring / Surface finish | |
|------------------------------|-----------------|
| Body colour code | RAL 7016 |
| Body colour | anthracite grey |
| Body surface finish | textured |
| Door / Drawer colour code | RAL 5010 |
| Door / Drawer colour | gentian blue |
| Door / Drawer surface finish | textured |

| General Information | |
|-----------------------------|----------|
| Number of doors | 2 |
| Door opening angle | 89.50° |
| Depth with open doors | 1167 mm |
| Entry width transport base | 1120 mm |
| Entry height transport base | 90 mm |
| Customs tariff number | 94032080 |

Front view

Side view



For further information please visit www.asecos.com